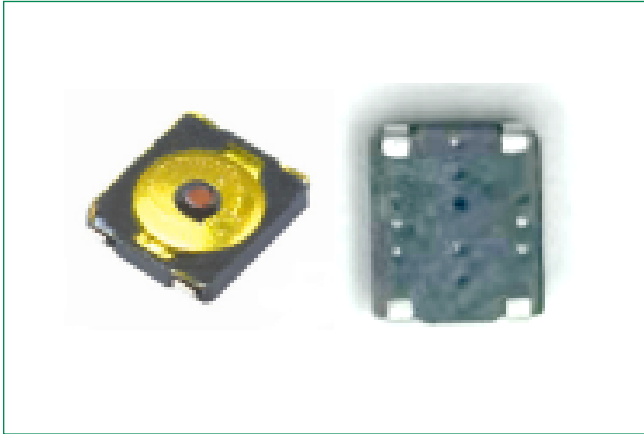


TS-1289(2.8*2.4*0.6)Series

Ultra Low Profile Top Actuated



Description

The TS-1289 series ultra-low profile top actuated tactile is a reliable and long-lasting switch built to meet the specific needs of engineers creating the next generation of devices, including in-ear headphones and earbuds, wearable electronics and hearing aids. The switch has a 2.8 x 2.4 mm footprint, 0.6 mm thickness and high number of cycles.

Features & Benefits

- Small footprint 2.8 x 2.4 mm
- High number of cycle
- 0.6 mm thickness

Applications

- Wearable electronics
- Portable Electronics
- In-Ear headphones, Earbuds
- Hearing Aids
- Mobile Phones

Specifications

Function	Momentary action
Contact Arrangement	1 make contact = SPST, N.O.
Terminals	G type for SMT
Travel	0.13 mm
	In reels of 15,000 pieces Dimensions of reels according to EIA 481B External diameter 330 mm

Electrical Characteristics

Maximum Voltage	15 VDC
Maximum Current DC	20 mA
Dielectric Strength	(50/60 Hz, 1 min) 250 Vrms
Contact Resistance	≤ 500 mΩ
Insulation Resistance	≥ 50 MΩ
Bounce Time	≤ 10 ms

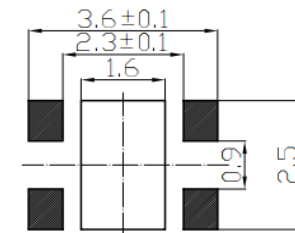
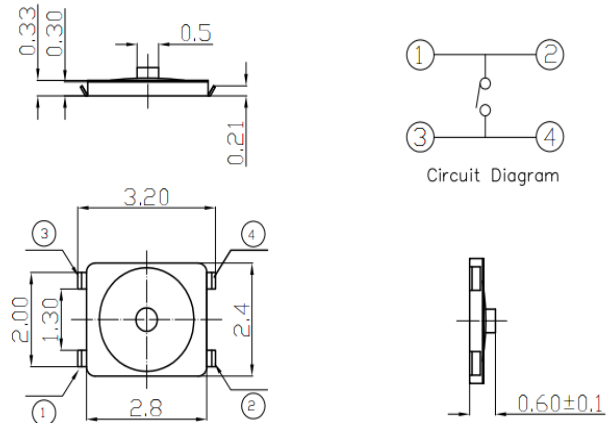
Environmental Characteristics

Operating Temperature	-40°C to 85°C
Storage Temperature	-40°C to 85°C

Process

Soldering	This component is suited to the following methods: Infrared Reflow Soldering in accordance with IEC61760-1
------------------	---

Dimensions (mm)



PC board land dimensions
Viewed from switch mounting face